

Schaerer Coffee Art Plus

Model Powder doser

May 2011



Basic configuration

Choco	1 x 1.0 kg Chocolate powder (1 type)
Topping	1 x 1.0 kg Milk powder (1 type)
Twin Choco	2 x 0.5 kg Chocolate powder (2 types)
Twin Topping	2 x 0.5 kg Milk powder (2 types)
Choco / Topping	2 x 0.5 kg Chocolate- and Milk powder

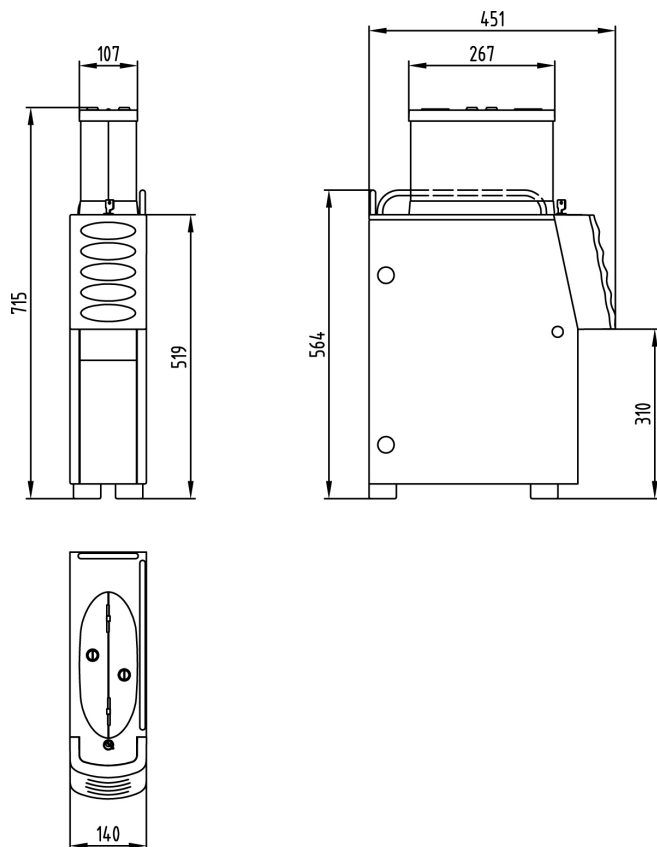
Connections

This device must always be connected to the adjacent coffee machine

Dimensions

Width / depth / height	140 / 451 / 715 mm
Weight	25 kg

Dimensions



Differences between the offered machine and the picture and the configuration are possible.

Schaerer Ltd.
B.O. Box
Allmendweg 8
CH-4528 Zuchwil
T +41 (0)32 681 62 00
F +41 (0)32 681 62 42
info@schaerer.com
www.schaerer.com

 **schaerer**
Coffee comes to life