

# Schaerer Coffee Art

Model SCA 1 CT1-1M (coffee, hot water)

May 2011



## Basic configuration

Spouts: coffee / hot water	1 / 1
Boiler: coffee and hot water (2 kW or 3 kW)	1
Grinders / Inlet for ground coffee	1 / 1
Programmable beverage selection	up to 16 different beverage

## Connections

Voltage	power	fuse protection
1L, N, PE: 220-240 V~ 50/60 Hz	2000-2400 W 3000-3600 W	10 A 16 A
Water connection	G 3/8 " max 0.6 MPa (6 bar)	
Water outlet	Ø 36 mm	
Water hardness	4°-6° dKH / 8°-10° fKH	

## Dimensions

Width / depth / height	420 / 538 / 642 mm
Weight	about 38 kg

## Output per hour (approximate)

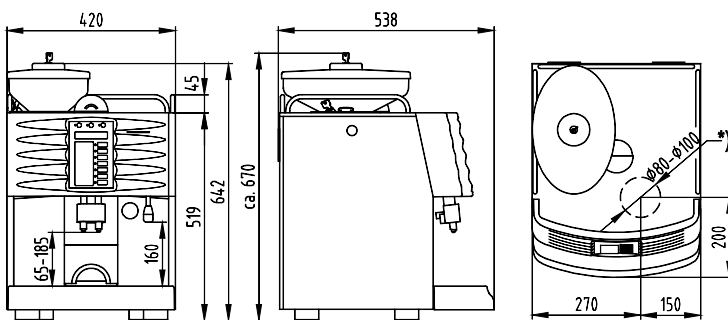
\*\* Top quality according Schaerer Coffee Competence Centre

Espresso (cup of 50 – 60ml)	180 (CCC 175)**
Coffee (cup of 120ml)	150 (CCC 130)**
Hot water (litre)	12

## Options



- Lockable bean containers
- Brewing accelerator
- Additional steam spout for milk system
- External water- and dirty water tank
- Waste water monitor
- Chute for under-counter grounds disposal
- Connection to all commercial invoicing systems
- Cup warmer

## Dimensions



## Colours

Illustrations may not reflect actual colour

-  Costa Rica, silver
-  Costa Rica, black

\* Counter cutout for power, drinking water and wast water / Differences between the offered machine and the picture and configuration are possible.

Schaerer Ltd.  
P.O. Box  
Allmendweg 8  
CH-4528 Zuchwil  
T +41 (0)32 681 62 00  
F +41 (0)32 681 62 42  
info@schaerer.com  
www.schaerer.com

 **schaerer**  
Coffee comes to life

SWISS MADE

# Schaerer Coffee Art

Model SCA 1 CT1-2M (coffee, hot water)

May 2011



## Basic configuration

Spouts: coffee / hot water	1 / 1
Boiler: coffee and hot water (2 kW or 3 kW)	1
Grinders / Inlet for ground coffee	2 / 1
Programmable beverage selection	up to 16 different beverage

## Connections

			power	fuse protection
Voltage			2000-2400 W	10 A
1L, N, PE:	220-240 V~	50/60 Hz	3000-3600 W	16 A
Water connection	G 3/8 " max 0.6 MPa (6 bar)			
Water outlet	Ø 36 mm			
Water hardness	4°-6° dKH / 8°-10° fKH			

## Dimensions

Width / depth / height	420 / 538 / 642 mm
Weight	about 38 kg

## Output per hour (approximate)

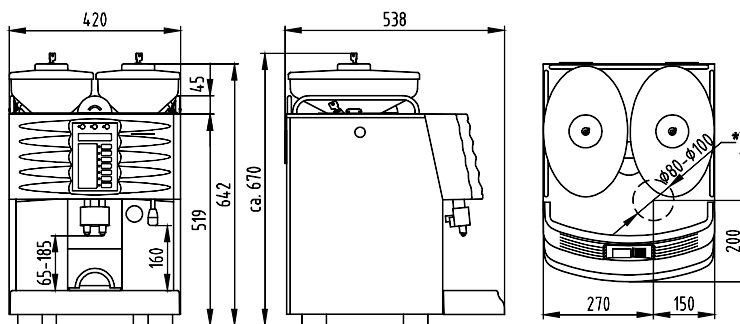
\*\* Top quality according Schaerer Coffee Competence Centre

Espresso (cup of 50 – 60 ml)	180 (CCC 175)**
Coffee (cup of 120 ml)	150 (CCC 130)**
Hot water (litre)	12

## Options


- Lockable bean containers
- Brewing accelerator
- Additional steam spout for milk system
- External water- and dirty water tank
- Waste water monitor
- Chute for under-counter grounds disposal
- Connection to all commercial invoicing systems
- Cup warmer

## Dimensions



## Colours

Illustrations may not reflect actual colour

-  Costa Rica, silver
-  Costa Rica, black

\* Counter cutout for power, drinking water and wast water / Differences between the offered machine and the picture and configuration are possible.

Schaerer Ltd.  
P.O. Box  
Allmendweg 8  
CH-4528 Zuchwil  
T +41 (0)32 681 62 00  
F +41 (0)32 681 62 42  
info@schaerer.com  
www.schaerer.com

 **schaerer**  
Coffee comes to life

SWISS MADE

# Schaerer Coffee Art

Model SCA 1 CT1/S-1M/S (coffee, hot water, steam)

May 2011



## Basic configuration

Spouts: coffee / hot water / steam	1 / 1 / 1
Boiler: coffee and hot water (2 kW or 3 kW) / steam (2 kW or 3 kW)	1 / 1
Grinders / Inlet for ground coffee	1 / 1
Programmable beverage selection	up to 16 different beverage

## Connections

			power	fuse protection
1L, N, PE:	220-240 V~	50/60 Hz	2000-2400 W	10 A
			3000-3600 W	16 A
2L, PE:	200-220V 2~	50/60 Hz	2000-2200 W	2x 15 A
			2600-3200 W	2x 15 A
			4700-5800 W	30 A
Water connection			G 3/8 " max 0.6 MPa (6 bar)	
Water outlet			Ø 36 mm	
Water hardness			4°-6° dKH / 8°-10° fKH	

## Dimensions

Width / depth / height	420 / 538 / 642 mm
Weight	about 38 kg

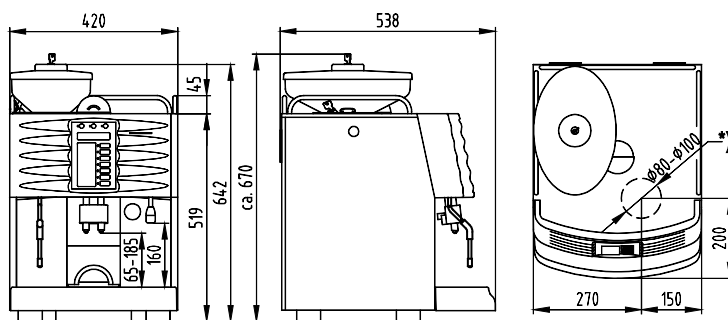
## Output per hour (approximate)

	** Top quality according Schaerer Coffee Competence Centre
Espresso (cup of 50 – 60 ml)	180 (CCC 175)**
Coffee (cup of 120 ml)	150 (CCC 130)**
Cappuccino (cup of 180 ml)	130 (CCC 120)**
Hot water (litre)	12

## Options



- Lockable bean containers
- Brewing accelerator
- Additional steam spout for milk system
- External water- and dirty water tank
- Waste water monitor
- Chute for under-counter grounds disposal
- Connection to all commercial invoicing systems
- Cup warmer

## Dimensions



## Colours

Illustrations may not reflect actual colour

-  Costa Rica, silver
-  Costa Rica, black

\* Counter cutout for power, drinking water and waste water / Differences between the offered machine and the picture and configuration are possible.

Schaerer Ltd.  
P.O. Box  
Allmendweg 8  
CH-4528 Zuchwil  
T +41 (0)32 681 62 00  
F +41 (0)32 681 62 42  
info@schaerer.com  
www.schaerer.com

 **schaerer**  
Coffee comes to life

SWISS MADE

# Schaerer Coffee Art

Model SCA 1 CT1/S-2M/S (coffee, hot water, steam)

May 2011



## Basic configuration

Spouts: coffee / hot water / steam	1 / 1 / 1
Boiler: coffee and hot water (2 kW or 3 kW) / steam (2 kW or 3 kW)	1 / 1
Grinders / Inlet for ground coffee	2 / 1
Programmable beverage selection	up to 16 different beverage

## Connections

			power	fuse protection
1L, N, PE:	220-240 V~	50/60 Hz	2000-2400 W	10 A
			3000-3600 W	16 A
			2000-2200 W	2x 15 A
2L, PE:	200-220V 2~	50/60 Hz	2600-3200 W	2x 15 A
			4700-5800 W	30 A
			Water connection	
Water outlet		Ø 36 mm		
Water hardness		4°-6° dKH / 8°-10° fKH		

## Dimensions

Width / depth / height	420 / 538 / 642 mm
Weight	about 38 kg

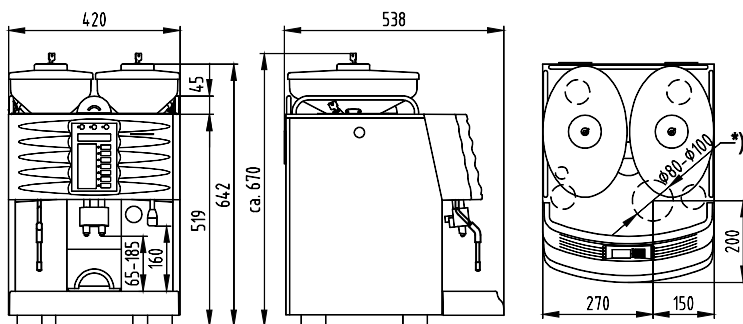
## Output per hour (approximate)

	** Top quality according Schaerer Coffee Competence Centre
Espresso (cup of 50 – 60 ml)	180 (CCC 175)**
Coffee (cup of 120 ml)	150 (CCC 130)**
Cappuccino (cup of 180 ml)	130 (CCC 120)**
Hot water (litre)	12

## Options



- Lockable bean containers
- Brewing accelerator
- Additional steam spout for milk system
- External water- and dirty water tank
- Waste water monitor
- Chute for under-counter grounds disposal
- Connection to all commercial invoicing systems
- Cup warmer

## Dimensions



## Colours

Illustrations may not reflect actual colour

-  Costa Rica, silver
-  Costa Rica, black

\* Counter cutout for power, drinking water and wast water / Differences between the offered machine and the picture and configuration are possible.

Schaerer Ltd.  
P.O. Box  
Allmendweg 8  
CH-4528 Zuchwil  
T +41 (0)32 681 62 00  
F +41 (0)32 681 62 42  
info@schaerer.com  
www.schaerer.com

 **schaerer**  
Coffee comes to life

SWISS MADE

# Schaerer Coffee Art

Model SCA 1 CT1/S-1M/L (coffee, hot water, milk)

May 2011



## Basic configuration

Spouts: coffee / hot water	1 / 1
Boiler: coffee and hot water (2 kW or 3 kW) / steam (2 kW or 3 kW)	1 / 1
Grinders / Inlet for ground coffee	1 / 1
Programmable beverage selection	up to 16 different beverage

## Connections

Voltage			power	fuse protection
1L, N, PE:	220-240 V~	50/60 Hz	2000-2400 W	10 A
			3000-3600 W	16 A
2L, PE:	200-220V 2~	50/60 Hz	2000-2200 W	2x 15 A
			2600-3200 W	2x 15 A
			4700-5800 W	30 A
Water connection	G 3/8 " max 0.6 MPa (6 bar)			
Water outlet	Ø 36 mm			
Water hardness	4°-6° dKH / 8°-10° fKH			

## Dimensions

Width / depth / height	420 / 538 / 642 mm
Weight	about 38 kg

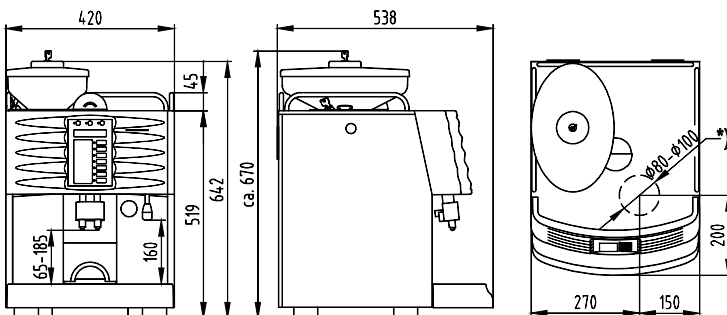
## Output per hour (approximate)

	** Top quality according Schaerer Coffee Competence Centre
Espresso (cup of 50 – 60 ml)	180 (CCC 175)**
Coffee (cup of 120 ml)	150 (CCC 130)**
Cappuccino (cup of 180 ml)	130 (CCC 120)**
Latte Macchiato (cup of 200 ml)	120 (CCC 120)**
Hot water (litre)	12
Hot milk	130

## Options



Lockable bean containers	Cup warmer
Brewing accelerator	Cup & Cool
Additional steam spout for milk system	Additional cooling unit
External water- and dirty water tank	
Waste water monitor	
Chute for under-counter grounds disposal	
Connection to all commercial invoicing systems	

## Dimensions



## Colours

Illustrations may not reflect actual colour

-  Costa Rica, silver
-  Costa Rica, black

\* Counter cutout for power, drinking water and wast water / Differences between the offered machine and the picture and configuration are possible.

Schaerer Ltd.  
P.O. Box  
Allmendweg 8  
CH-4528 Zuchwil  
T +41 (0)32 681 62 00  
F +41 (0)32 681 62 42  
info@schaerer.com  
www.schaerer.com

 **schaerer**  
Coffee comes to life

SWISS MADE

# Schaerer Coffee Art

Model SCA 1 CT1/S-2M/L (coffee, hot water, milk)

May 2011



## Basic configuration

Spouts: coffee / hot water	1 / 1
Boiler: coffee and hot water (2 kW or 3 kW) / steam (2 kW or 3 kW)	1 / 1
Grinders / Inlet for ground coffee	2 / 1
Programmable beverage selection	up to 16 different beverage

## Connections

			power	fuse protection
1L, N, PE:	220-240 V~	50/60 Hz	2000-2400 W	10 A
			3000-3600 W	16 A
2L, PE:	200-220V 2~	50/60 Hz	2000-2200 W	2x 15 A
			2600-3200 W	2x 15 A
			4700-5800 W	30 A
Water connection			G 3/8 " max 0.6 MPa (6 bar)	
Water outlet			Ø 36 mm	
Water hardness			4°-6° dKH / 8°-10° fKH	

## Dimensions

Width / depth / height	420 / 538 / 642 mm
Weight	about 38 kg

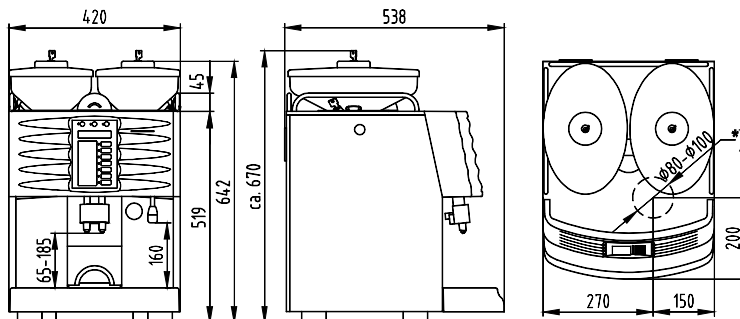
## Output per hour (approximate)

	** Top quality according Schaerer Coffee Competence Centre
Espresso (cup of 50 – 60 ml)	180 (CCC 175)**
Coffee (cup of 120 ml)	150 (CCC 130)**
Cappuccino (cup of 180 ml)	130 (CCC 120)**
Latte Macchiato (cup of 200 ml)	120 (CCC 120)**
Hot water (litre)	12
Hot milk	130

## Options



Lockable bean containers	Cup warmer
Brewing accelerator	Cup & Cool
Additional steam spout for milk system	Additional cooling unit
External water- and dirty water tank	
Waste water monitor	
Chute for under-counter grounds disposal	
Connection to all commercial invoicing systems	

## Dimensions



## Colours

Illustrations may not reflect actual colour

	Costa Rica, silver
	Costa Rica, black

\* Counter cutout for power, drinking water and wast water / Differences between the offered machine and the picture and configuration are possible.

Schaerer Ltd.  
P.O. Box  
Allmendweg 8  
CH-4528 Zuchwil  
T +41 (0)32 681 62 00  
F +41 (0)32 681 62 42  
info@schaerer.com  
www.schaerer.com

 **schaerer**  
Coffee comes to life

SWISS MADE

# Schaerer Coffee Art / Vito

Model Cup & Cool

May 2011



## Basic configuration

Combined refrigerator unit and cup warmer  
Removable milk tank with approx. 4-litre capacity  
3 heatable shelves made of uncoated stainless steel  
2 separate on/off switches for cup warmer and accessory refrigerator unit  
Suitable for self-service

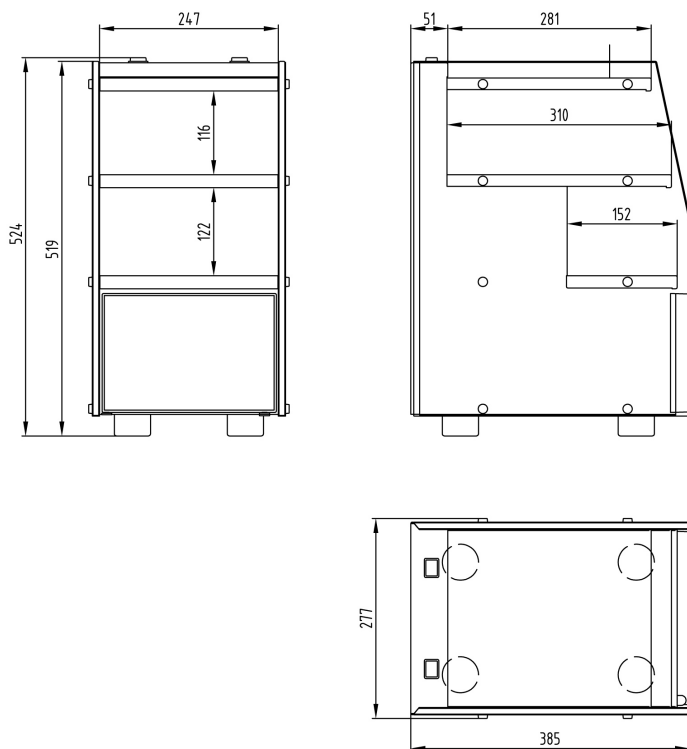
## Connections

Voltage			Power	Fuse protection
1L, N, PE:	220-240V~	50/60Hz	180 W	10-16 A
2L, PE:	200-220V 2~	50/60Hz	180 W	15 A

## Dimensions

	* depending on the size of the cups
Width / depth / height	277 / 385 / 524 mm
Weight	26.5 kg
Capacity	about 60 cups* / 4 litre

## Dimensions



Differences between the offered machine and the picture and the configuration are possible.

Schaerer Ltd.  
P.O. Box  
Allmendweg 8  
CH-4528 Zuchwil  
T +41 (0)32 681 62 00  
F +41 (0)32 681 62 42  
info@schaerer.com  
www.schaerer.com

 **schaerer**  
Coffee comes to life

# Schaerer Coffee Art Plus

Model Powder doser

May 2011



## Basic configuration

Choco	1 x 1.0 kg Chocolate powder (1 type)
Topping	1 x 1.0 kg Milk powder (1 type)
Twin Choco	2 x 0.5 kg Chocolate powder (2 types)
Twin Topping	2 x 0.5 kg Milk powder (2 types)
Choco / Topping	2 x 0.5 kg Chocolate- and Milk powder

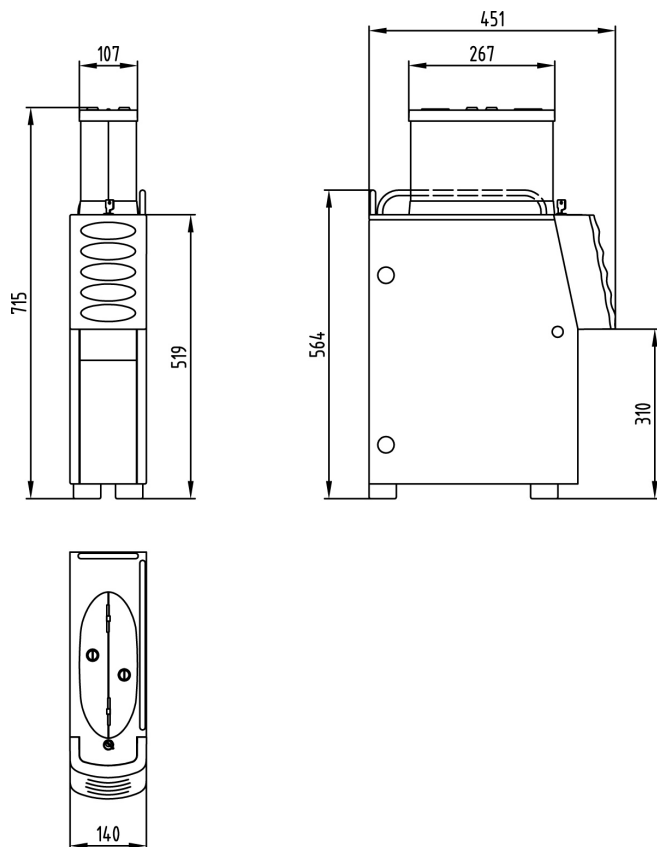
## Connections

This device must always be connected to the adjacent coffee machine

## Dimensions

Width / depth / height	140 / 451 / 715 mm
Weight	25 kg

## Dimensions



Differences between the offered machine and the picture and the configuration are possible.

Schaerer Ltd.  
B.O. Box  
Allmendweg 8  
CH-4528 Zuchwil  
T +41 (0)32 681 62 00  
F +41 (0)32 681 62 42  
info@schaerer.com  
www.schaerer.com

 **schaerer**  
Coffee comes to life

# Schaerer Coffee Art / Vito

Model "W" Cup warmer

May 2011



## Basic configuration

4 heatable shelves made of perforated, uncoated stainless steel

Freely-adjustable thermostat

On/off switch

Suitable for self-service

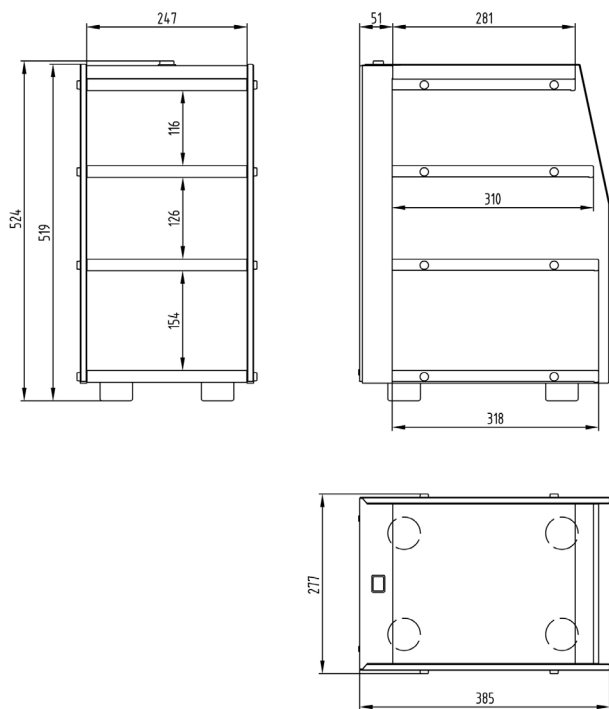
## Connections

Voltage	power	fuse protection
1L, N, PE: 220-240V~ 50/60Hz	190-230 W	10-16 A

## Dimensions

	* depending on the size of the cups
Width / depth / height	277 / 385 / 524 mm
Weight	18.8 kg
Capacity	about 70 - 100 cups*

## Dimensions



Differences between the offered machine and the picture and the configuration are possible.

Schaerer Ltd.  
P.O. Box  
Allmendweg 8  
CH-4528 Zuchwil  
T +41 (0)32 681 62 00  
F +41 (0)32 681 62 42  
info@schaerer.com  
www.schaerer.com

 **schaerer**  
Coffee comes to life

SWISS MADE