

# Schaerer Coffee Celebration

Model "BCL" (coffee, hot water, steam, milk)

June 2011



## Basic configuration

|  |                    |
|--|--------------------|
| Spouts: coffee / hot water                           | 1 / 1              |
| Boiler: coffee (3kW) / hot water (6kW) / steam (3kW) | 1 / 1 / 1          |
| Grinders / Inlet for ground coffee                   | 2 / 1              |
| Beverage selection                                   | up to 30 beverages |
| Cooling Unit   | 1                  |

## Connections

| Voltage                  | Power                       | Fuse protection |
|--------------------------|-----------------------------|-----------------|
| 1L, N, PE: 220-240 V~    | 50/60 Hz                    | 6000-7000 W     |
| 3L, N, PE: 380-415 V 3N~ | 50/60 Hz                    | 6000-7000 W     |
|                          |                             | 8900-10100 W    |
| 3L, PE: 200-220 V 3~     | 50/60 Hz                    | 5000-5700 W     |
|                          |                             | 7400-8400 W     |
| Water connection         | G 3/8 " max 0.6 MPa (6 bar) |                 |
| Water outlet             | Ø 40 mm                     |                 |
| Water hardness           | 4°-6° dKH / 8°-10° fKH      |                 |

## Dimensions

|                        |                    |
|------------------------|--------------------|
| Width / depth / height | 756 / 617 / 894 mm |
| Weight                 | about 75 kg        |

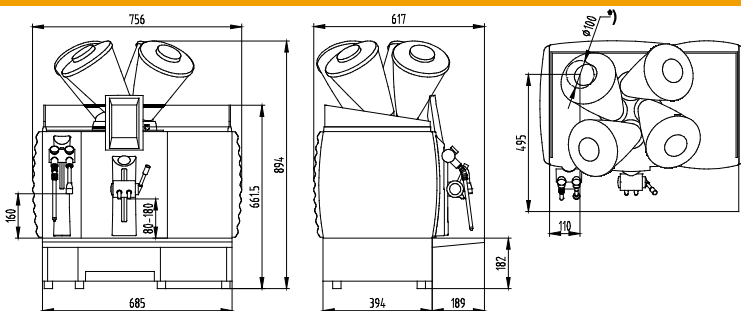
## Output per hour (approximate)

|                                 |           |
|---------------------------------|-----------|
| Espresso (cup of 50 – 60 ml)    | 240       |
| Coffee (cup of 120 ml)          | 200       |
| Cappuccino (cup of 180 ml)      | 180       |
| Latte Macchiato (cup of 200 ml) | 160       |
| Cold milk / hot milk (litre)    | 180 / 180 |
| Hot water (litre)               | 30 - 40   |

## Options

|   |
|---|
| 3 grinders and inlet for ground coffee / 4 grinders without inlet for ground coffee |
| Steam outlet  |
| External water- and dirty water tank  |
| Chute for under-counter grounds disposal  |
| Brewing accelerator   |
| Cup warmer  |
| Bean container short  |
| Lockable bean containers  |
| Connection to all commercial invoicing systems                                      |

## Dimensions



## Colours

Illustrations may not reflect actual colour

|  |   |
|--|---|
|  | Blue Mountain, blue                         |
|  | Costa Rica, silver                          |
|  | Brazil, bronze                              |
|  | Kenya, black                                |
|  | Base frame - stainless steel (standard)     |
|  | Base frame - stainless steel black (option) |

\* Counter cutout for power, drinking water and waste water / Differences between the offered machine and the picture and the configuration are possible.

Schaerer Ltd.  
P.O. Box  
Allmendweg 8  
CH-4528 Zuchwil  
T +41 (0)32 681 62 00  
F +41 (0)32 681 62 42  
info@schaerer.com  
www.schaerer.com

**schaerer**  
Coffee comes to life