

Schaerer Coffee Celebration

Model "BC" (coffee, hot water, steam)

June 2011



Basic configuration

Spouts: coffee / hot water	1 / 1
Boiler: coffee (3kW) / hot water (6kW) / steam (3kW)	1 / 1 / 1
Grinders / Inlet for ground coffee	2 / 1
Beverage selection	up to 30 beverages

Connections

Voltage	Power	Fuse protection
1L, N, PE: 220-240 V~ 50/60 Hz	6000-7000 W	30 A
3L, N, PE: 380-415 V 3N~ 50/60 Hz	6000-7000 W 8900-10100 W	3x 16 A 3x 16 A
3L, PE: 200-220 V 3~ 50/60 Hz	5000-5700 W 7400-8400 W	3x 25 A 3x 25 A
Water connection	G 3/8 " max 0.6 MPa (6 bar)	
Water outlet	Ø 40 mm	
Water hardness	4°-6° dKH / 8°-10° fKH	

Dimensions

Width / depth / height	523 / 617 / 894 mm
Weight	about 70 kg

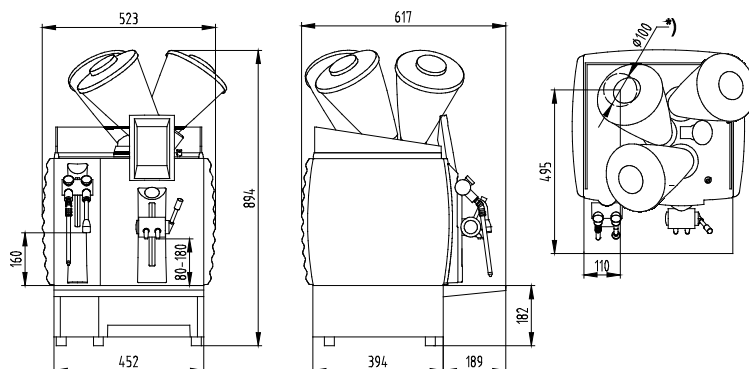
Output per hour (approximate)

Espresso (cup of 50 – 60 ml)	240
Coffee (cup of 120 ml)	200
Hot water (litre)	30-40

Options


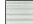



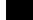
- 3 grinders and inlet for ground coffee / 4 grinders without inlet for ground coffee
- Steam outlet
- External water- and dirty water tank
- Chute for under-counter grounds disposal
- Brewing accelerator
- Cup warmer
- Bean container short
- Lockable bean containers
- Connection to all commercial invoicing systems

Dimensions



Colours

Illustrations may not reflect actual colour

-  Blue Mountain, blue
-  Costa Rica, silver
-  Brazil, bronze
-  Kenya, black
-  Base frame - stainless steel (standard)
-  Base frame - stainless steel black (option)

* Counter cutout for power, drinking water and waste water / Differences between the offered machine and the picture and the configuration are possible.

Schaerer Ltd.
P.O. Box
Allmendweg 8
CH-4528 Zuchwil
T +41 (0)32 681 62 00
F +41 (0)32 681 62 42
info@schaerer.com
www.schaerer.com

 **schaerer**
Coffee comes to life

SWISS MADE

Schaerer Coffee Celebration

Model "BC" Under-counter Milk
(coffee, hot water, steam, milk)

June 2011



Basic configuration

Spouts: coffee / hot water	1 / 1
Boiler: coffee (3kW) / hot water (6kW) / steam (3kW)	1 / 1 / 1
Grinders / Inlet for ground coffee	2 / 1
Beverage selection	up to 30 beverages
Prepared for milk system (Depends Schaerer-cooling unit or cooling unit customers)	1

Connections

Voltage			Power	Fuse protection
1L, N, PE:	220-240 V~	50/60 Hz	6000-7000 W	30 A
3L, N, PE:	380-415 V 3N~	50/60 Hz	6000-7000 W	3x 16 A
			8900-10100 W	3x 16 A
3L, PE:	200-220 V 3~	50/60 Hz	5000-5700 W	3x 25 A
			7400-8400 W	3x 25 A
Water connection	G 3/8 " max 0.6 MPa (6 bar)			
Water outlet	Ø 40 mm			
Water hardness	4°-6° dKH / 8°-10° fKH			

Dimensions

Width / depth / height	523 / 617 / 894 mm
Weight	about 70 kg

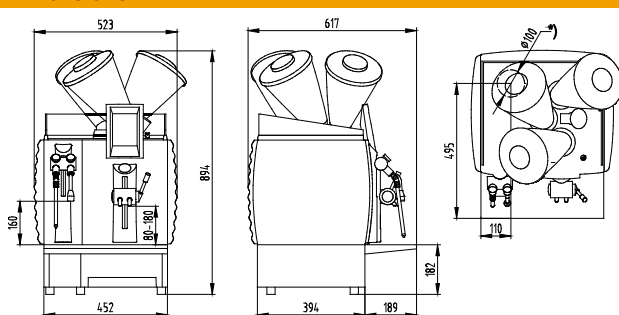
Output per hour (approximate)

Espresso (cup of 50 – 60 ml)	240
Coffee (cup of 120 ml)	200
Cappuccino (cup of 180 ml)	180
Latte Macchiato (cup of 200 ml)	160
Cold milk / hot milk (litre)	180 / 180
Hot water (litre)	30 - 40

Options

3 grinders and inlet for ground coffee / 4 grinders without inlet for ground coffee
Steam outlet
External water- and dirty water tank
Chute for under-counter grounds disposal
Brewing accelerator
Cup warmer
Bean container short
Lockable bean containers
Connection to all commercial invoicing systems

Dimensions



* Counter cutout for power, drinking water and wast water / Differences between the offered machine and the picture and the configuration are possible.

Colours

Illustrations may not reflect actual colour

	Blue Mountain, blue
	Costa Rica, silver
	Brazil, bronze
	Kenya, black
	Base frame - stainless steel (standard)
	Base frame - stainless steel black (option)

Schaerer Ltd.
P.O. Box
Allmendweg 8
CH-4528 Zuchwil
T +41 (0)32 681 62 00
F +41 (0)32 681 62 42
info@schaerer.com
www.schaerer.com

schaerer
Coffee comes to life