

Schaerer Coffee Vito

Model fresh milk SCV FM
(coffee / hot water / fresh milk)

June 2011



Basic configuration

Spouts: coffee / hot water	1 / 1
Boilers: coffee and hot water / steam	1 / 1
Grinder / Inlet for ground coffee	1 / 1
Programmable beverage selection	up to 14 beverage
Bean hopper	1.1 kg
Water supply	Tank
Illuminated panel	Colour of your choice or continually changing

Connections

Voltage			Power	fuse protection
1L, N, PE:	220-240V~	50/60Hz	2000-2200 W	10-16 A
1L, N, PE:	100-120V~	50/60Hz	1800-2100 W	20 A
2L, PE:	200-220V 2~	50/60Hz	1700-1900 W	2x15 A
			2600-3200 W	2x15 A
Water connection	G 3/8 " max 0.6 MPa (6 bar)			
Water outlet	Ø 56 mm			
Water hardness	4°-6° dKH / 8°-10° fKH			

Dimensions

Width / depth / height	329 / 585 / 860 mm
Weight	about 36 kg

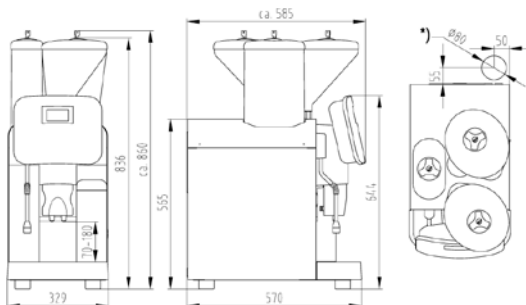
Output per hour (approximate)

Espresso (cup of 50 - 60ml)	100
Coffee (cup of 120 ml)	80
Cappuccino (cup of 180 ml) / Latte Macchiato (cup of 200 ml)	60 / 40
Moccaccino (cup of 180 ml) / Hot chocolate (cup of 180 ml)	60 / 60

Options

Powder-System:	Choco (1 type of choco powder), or Twin Choco (2 types of choco powder)
Second Grinder	
Plug and Clean	
Chute for under-counter grounds disposal	
Fixed water connection / Aquaflex	
Cup warmer or Cup & Cool	
Steam outlet	
Internal cooling unit ore additional cooling unit	
Connection to all commercial invoicing systems	

Dimensions



* Counter cutout for power, drinking water and wast water / Differences between the offered machine and the picture and the configuration are possible.

Colours

Illustrations may not reflect actual colour



Schaerer Ltd.
P.O. Box
Allmendweg 8
CH-4528 Zuchwil
T +41 (0)32 681 62 00
F +41 (0)32 681 62 42
info@schaerer.com
www.schaerer.com

 **schaerer**
Coffee comes to life