

Schaerer Siena

October 2009



Basic configuration

Spouts: coffee / steam / hot water	1 / 1 / 1
Boiler: coffee (1kW) / steam (1kW)	1 / 1
Grinders / DECAF function	1 / 1
Programmable product selection	5 product keys

Connections

Voltage / power / fuse protection	230 VAC / 2.2 kW / 10 A
Water connection / water outlet (only for models with fix water connection)	G 1/2 "max 3 bar / Ø 12 / 8mm
Water hardness	5°-7° dh / 8°-12° fh

Dimensions

Width / depth / height	314 / 403 / 412 mm
Weight	about 20 kg

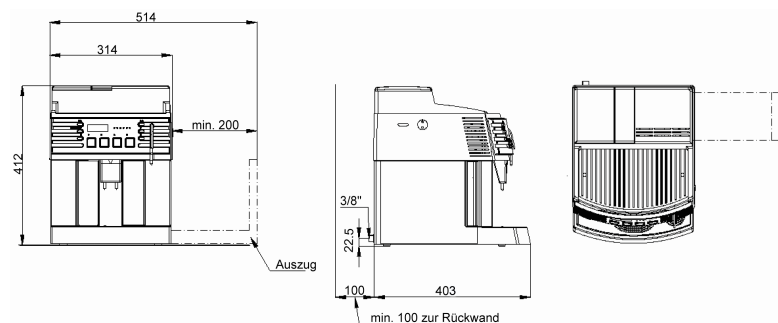
Output per hour (approximate)

Espresso (cup of 50 - 60ml)	50
Coffee (cup of 120ml)	30
Hot water (litre)	7.5

Options

Fixed-plumbing operation
Extended bean hopper for 500g
Coin chip checkers (suitable for Euro)
Module for self-service

Dimensions



Colours (

Illustrations may not reflect actual colour

	Silver
	Black

Differences between the offered machine and the picture/configuration are possible

Schaerer Ltd.
Allmendweg 8
4528 Zuchwil, Switzerland
T +41 (0)32 681 62 00
F +41 (0)32 681 62 42
info@schaerer.com
www.schaerer.com

 **schaerer**
Coffee comes to life

SWISS MADE