

# Schaerer Coffee Celebration

Model "BC" (coffee, hot water, steam)

September 2007



## Basic configuration

Spouts: coffee / hot water / steam	1 / 1 / 1
Boiler: coffee (3kW) / hot water (6kW) / steam (3kW)	1 / 1 / 1
Grinders / DECAF function	2 / 1
Programmable product selection	up to 30 products

## Connections

Voltage / power / fuse protection	400 V 3NAC / 9.3 kW / 16 A
Water connection / water outlet	G ½" max 3 bar / min. Ø 40mm
Water hardness	5°-7° dh / 8°-12° fh

## Dimensions

Width / depth / height	523 / 617 / 893.5 mm
Weight	about 55 kg

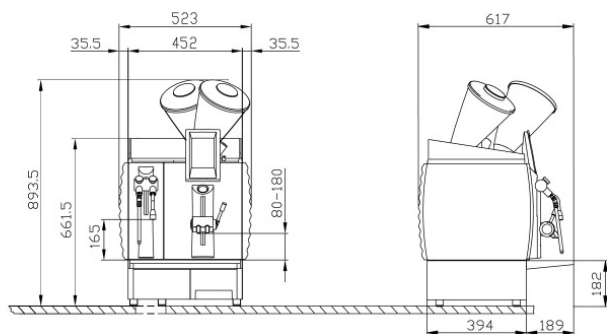
## Output per hour (approximate)

Espresso (cup of 50 - 60ml)	200
Coffee (cup of 120ml)	180
Hot water (litre)	30 - 40

## Options

- 3 grinders and DECAF function
- 4 grinders without DECAF function
- Fresh and waste water tanks
- Chute for coffee grounds under counter
- Switch from fix water connection to water tank
- Brewing accelerator
- Cup warmer
- Lockable bean containers
- Bean container short
- Connection to all commercial invoicing systems

## Dimensions



Differences between the offered machine and the picture/configuration are possible.

## Colours

Illustrations may not reflect actual colour

-  Blue Mountain, blue
-  Costa Rica, silver
-  Brazil, bronze
-  Kenya, black
-  Base frame – stainless steel
-  Base frame - stainless steel black

### M. Schaerer Ltd.

Gewerbestrasse 15  
 CH – 3302 Moosseedorf  
 Phone +41 (0)31 858 51 11  
 Fax +41 (0)31 858 51 40  
 info@schaerer.com  
 www.schaerer.com



# Schaerer Coffee Celebration

Model "BC" Undercounter – milk  
(coffee, hot water, steam, milk)

September 2007



## Basic configuration

Spouts: coffee / hot water / steam	1 / 1 / 1
Boiler: coffee (3kW) / hot water (6kW) / steam (3kW)	1 / 1 / 1
Grinders / DECAF function	2 / 1
Programmable product selection	up to 30 products
Pump support for milk fridge	1

## Connections

Voltage / power / fuse protection	400 V 3NAC / 9.3 kW / 16 A
Water connection / water outlet	G ½ " max 3 bar / min. Ø 40mm
Water hardness	5°-7° dh / 8°-12° fh

## Dimensions

Width / depth / height	523 / 617 / 893.5 mm
Weight	about 55 kg

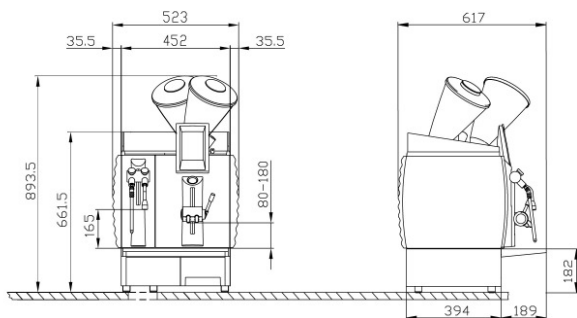
## Output per hour (approximate)

Espresso (cup of 50 - 60ml)	200
Coffee (cup of 120ml)	180
Cappuccino (cup of 180ml)	160
Latte Macchiato (cup of 200ml)	140
Cold milk / hot milk (litre)	180 / 180
Hot water (litre)	30 - 40

## Options

- 3 grinders and DCAF / 4 grinders without DECAF
- Fresh and waste water tanks
- Chute for coffee grounds under counter
- Brewing accelerator
- Cup warmer
- Bean container short / Lockable bean containers
- Connection to all commercial invoicing systems

## Dimensions



Differences between the offered machine and the picture/configuration are possible.

## Colours

Illustrations may not reflect actual colour

-  Blue Mountain, blue
-  Costa Rica, silver
-  Brazil, bronze
-  Kenya, black
-  Base frame – stainless steel
-  Base frame - stainless steel black

M. Schaerer Ltd.  
Gewerbstrasse 15  
CH - 3302 Moosseedorf  
Phone +41 (0)31 858 51 11  
Fax +41 (0)31 858 51 40  
info@schaerer.com  
www.schaerer.com

  
coffee comes to life