

# Schaerer Siena

September 2007



## Basic configuration

Spouts: coffee / steam / hot water	1 / 1 / 1
Boiler: coffee (1kW) / steam (1kW)	1 / 1
Grinders / DECAF function	1 / 1
Programmable product selection	5 product keys

## Connections

Voltage / power / fuse protection	230 VAC / 2.2 kW / 10 A
Water connection / water outlet (only for models with fix water connection)	G ½" max 3 bar / Ø 12 / 8mm
Water hardness	5°-7° dh / 8°-12° fh

## Dimensions

Width / depth / height	314 / 403 / 412 mm
Weight	about 20 kg

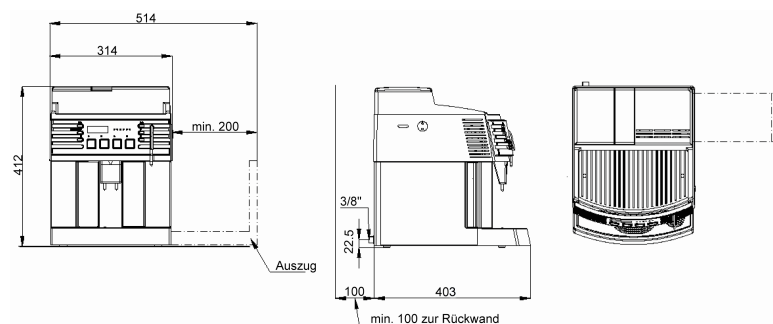
## Output per hour (approximate)

Espresso (cup of 50 - 60ml)	50
Coffee (cup of 120ml)	30
Hot water (litre)	7.5

## Options

- Fixed-plumbing operation
- Extended bean hopper for 500g
- Coin chip checkers (suitable for Euro)
- Module for self-service

## Dimensions



## Colours (

illustrations may not reflect actual colour

-  Silver
-  Black

Differences between the offered machine and the picture/configuration are possible

**M. Schaerer Ltd.**  
 Gewerbestrasse 15  
 CH - 3302 Moosseedorf  
 Phone +41 (0)31 858 51 11  
 Fax +41 (0)31 858 51 40  
 info@schaerer.com  
 www.schaerer.com

**schaerer**<sup>®</sup>  
 coffee comes to life

SWISS MADE